



Phoenix USA, Inc.

## HEAVY DUTY ***D.O.T.Liner***<sup>®</sup>

For Hub Pilot sets

### **Packing List**

<b>Front Axle Set</b>	<b>Rear Axle Set</b>
<ul style="list-style-type: none"> <li>• 2 - Front wheel simulators</li> <li>• 2 - Front hub covers</li> <li>• 4 - Right hand stud extenders</li> <li>• 4 - Right hand jam nuts</li> <li>• 4 - Jam nut covers</li> <li>• 2 - Center hub logos</li> <li>• 1 - Installation tool</li> </ul>	<ul style="list-style-type: none"> <li>• 2 - Rear wheel simulators</li> <li>• 2 - Rear hub covers</li> <li>• 4 - Right hand stud extenders</li> <li>• 4 - Right hand jam nuts</li> <li>• 4 - Jam nut covers</li> <li>• 2 - Center hub logos</li> <li>• 1 - Installation tool</li> <li>• 4 - Centering spacers</li> </ul>

## **INSTALLATION INSTRUCTIONS**

Note: This system can be installed with the installation tool provided. No other tools are necessary. Do not use power tools for installation. Phoenix™ recommends storing the tool with the vehicle's tire tool for future use.

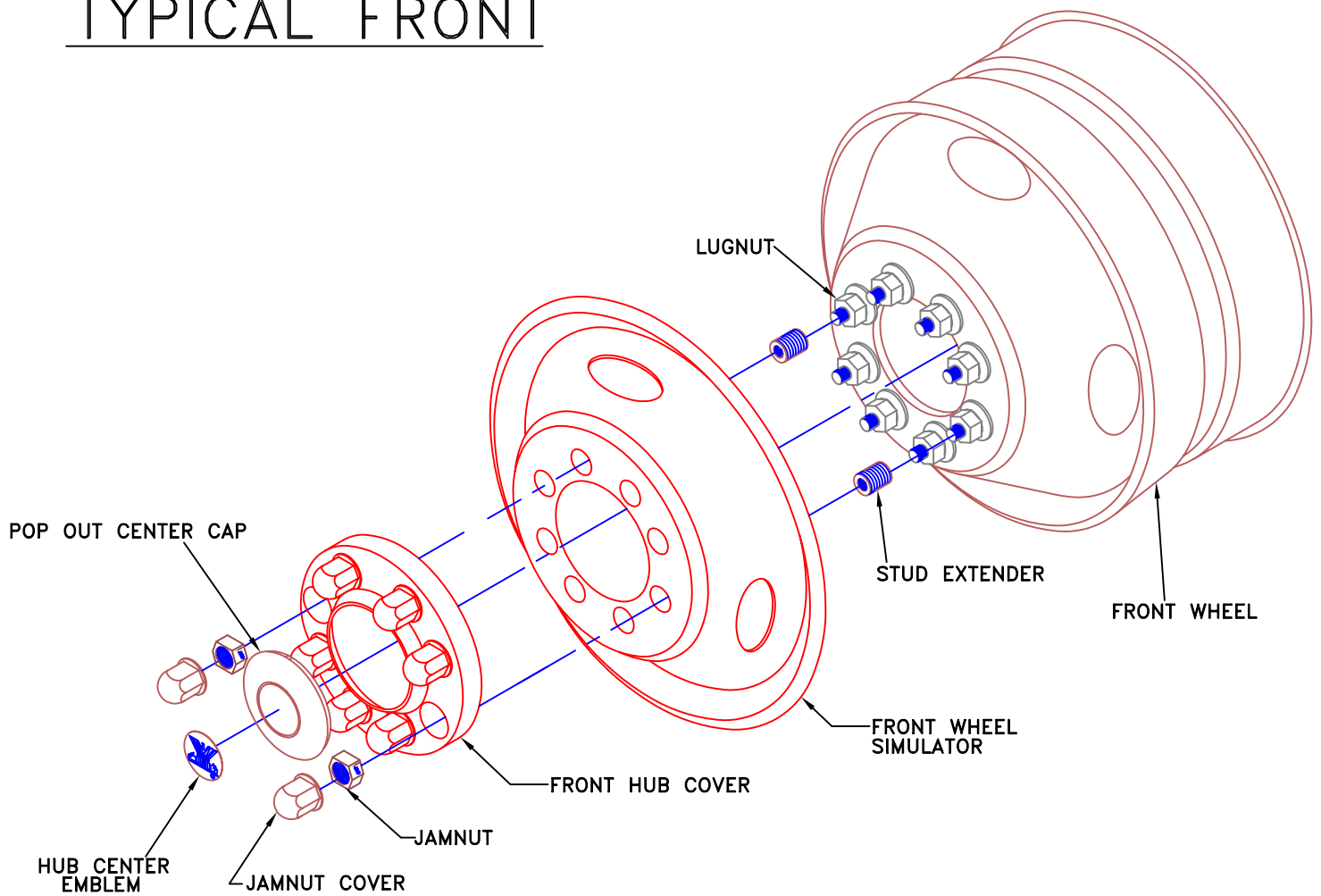
### **Assembly Drawings on Back**

1. Do not remove the original equipment lug nuts.
2. Determine correct placement of spacers and stud extenders required for proper hand hole alignment.
3. FRONT- Install stud extender on the portion of the wheel studs that protrudes through the original equipment lug nut on opposing studs (180° apart). Tighten stud extenders with included installation tool.  
 REAR- Install spacer and then install stud extender on the portion of the wheel studs that protrudes through the original equipment lug nut on opposing studs (180° apart). Tighten stud extenders with included installation tool.
4. Install Wheel simulator over stud extenders. Install hub cover over the stud extenders. Now, install the jam nuts on the stud extenders. Use the included tool to tighten jam nuts.
5. Install jam nut covers over the jam nuts.
6. Complete the wheel cover installation by applying hub center emblem.

### **Phoenix USA, Inc. Wheel Simulator Limited Warranty**

Phoenix USA, Inc. warrants the stainless steel wheel simulators it markets to be free from manufacturing defects for a period of 3 years from initial sale to the initial purchaser. Any potential claim should be initiated by contacting the warranty department at Phoenix USA, Inc. to request a Returned Goods Authorization number so that the defective item only can be returned to Phoenix USA, Inc. for inspection and evaluation. If it is determined that the part in question was, in fact, defective, the defective part will be replaced at no charge. Note: Phoenix USA, Inc. Stainless Steel Wheel Simulator products are protected under one or more of the following Patents: #4,932,724; #5,096,263; #5,193,884; #5,205,614; #5,205,616; #5,277,478; #5,286,093; #5,645,324; #5,669,672; #5,676,430; #5,695,257; #5,722,735; other patents pending.

# TYPICAL FRONT



# TYPICAL REAR

## CENTERING SPACER ATTACHMENT

