



Front Packing List	Rear Packing List
<ul style="list-style-type: none"> • (2)- Wheel covers • (2)- Attachment rings • (10)- Anti-theft screws • (1)- Installation Tool 	<ul style="list-style-type: none"> • (2)- Wheel covers • (2)- Attachment rings • (10)- Anti-theft screws • (1)- Installation Tool • (4)- Air inflation hoses

INSTALLATION INSTRUCTIONS

Assembly drawings on back

Front wheel liner

1. Remove foreign material (dirt, etc.) that may be stuck inside the curled outer lip of the steel wheel so that the mounting ring can seat properly.
2. Place the attachment ring into the curled outer lip of the wheel with the rubber screw retainers facing outward. If there is a wheel weight, place the u-bend in the ring over it.
3. Expand the ring by tightening the nut. Expand the ring until the ring is held firmly in its seat. (torque nut to 25 inch pounds max.)
4. Secure the wheel cover to the attachment ring by using five anti-theft screws per wheel cover. (torque screws to 25 inch pounds max.)

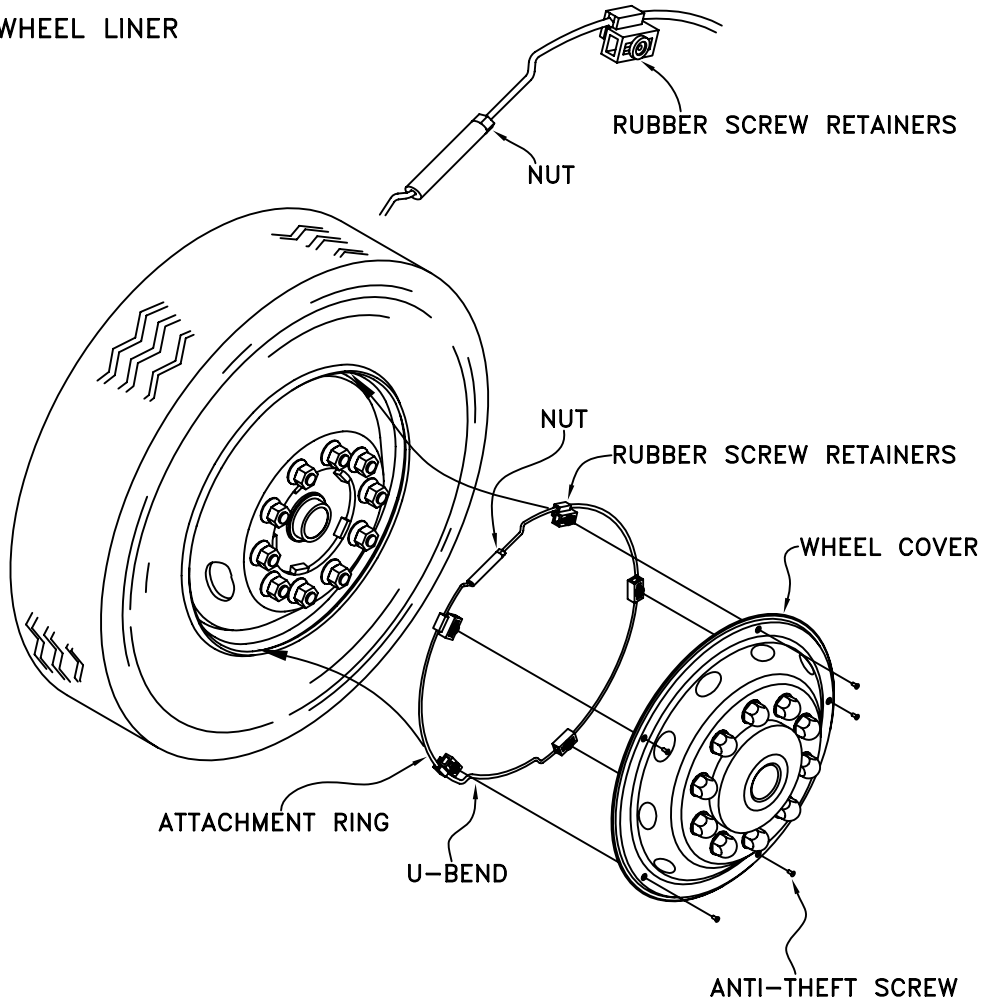
Rear wheel liner

1. Remove foreign material (dirt, etc.) that may be stuck inside the curled outer lip of the steel wheel so that the mounting ring can seat properly.
2. Place the attachment ring into the curled outer lip of the wheel with the rubber screw retainers facing outward. If there is a wheel weight, place the u-bend in the ring over it.
3. Expand the ring by tightening the nut. Expand the ring until the ring is held firmly in its seat. (torque nut to 25 inch pounds max.)
4. Install the air inflation hoses to the wheel. Then place the hoses in the two holes between the lug nut covers and secure them to the wheel cover with jam nuts. (torque nut to 25 inch pounds max.)
5. Secure the wheel cover to the attachment ring by using five anti-theft screws per wheel cover. (torque screws to 25 inch pounds max.)

Phoenix USA, Inc. Wheel Simulator Limited Warranty

Phoenix USA, Inc. warrants the stainless steel wheel simulators it markets to be free from manufacturing defects for a period of 3 years from initial sale to the initial purchaser. Any potential claim should be initiated by contacting the warranty department at Phoenix USA, Inc. to request a Returned Goods Authorization number so that the defective item only can be returned to Phoenix USA, Inc. for inspection and evaluation. If it is determined that the part in question was, in fact, defective, the defective part will be replaced at no charge. Note: Phoenix USA, Inc. Stainless Steel Wheel Simulator products are protected under one or more of the following Patents: #4,932,724; #5,096,263; #5,193,884; #5,205,614; #5,205,616; #5,277,478; #5,286,093; #5,645,324; #5,669,672; #5,676,430; #5,695,257; #5,722,735; other patents pending.

FRONT WHEEL LINER



REAR WHEEL LINER

