



**Phoenix™ USA, Inc.™**

**D.O.T.Liner®**

with Jam Nut Retention  
**Packing List**

<b>Front Axle Set</b>	<b>Rear Axle Set</b>
<ul style="list-style-type: none"> <li>• (2)- Front wheel simulators</li> <li>• (4)- Jam nut covers with built in jamnut</li> <li>• (2)- Center hub logos</li> <li>• (1)- Installation tool</li> </ul>	<ul style="list-style-type: none"> <li>• (2)- Rear wheel simulators</li> <li>• (4)- Jam nut covers with built-in jamnut</li> <li>• (2)- Center hub logos</li> <li>• (1)- Installation tool</li> </ul>

**INSTALLATION INSTRUCTIONS**

Note: This system can be installed with the installation tool provided. No other tools are necessary. Do not use power tools for installation. Phoenix™ recommends storing the tool with the vehicle's tire tool for future use.

**Assembly Drawings on Back**

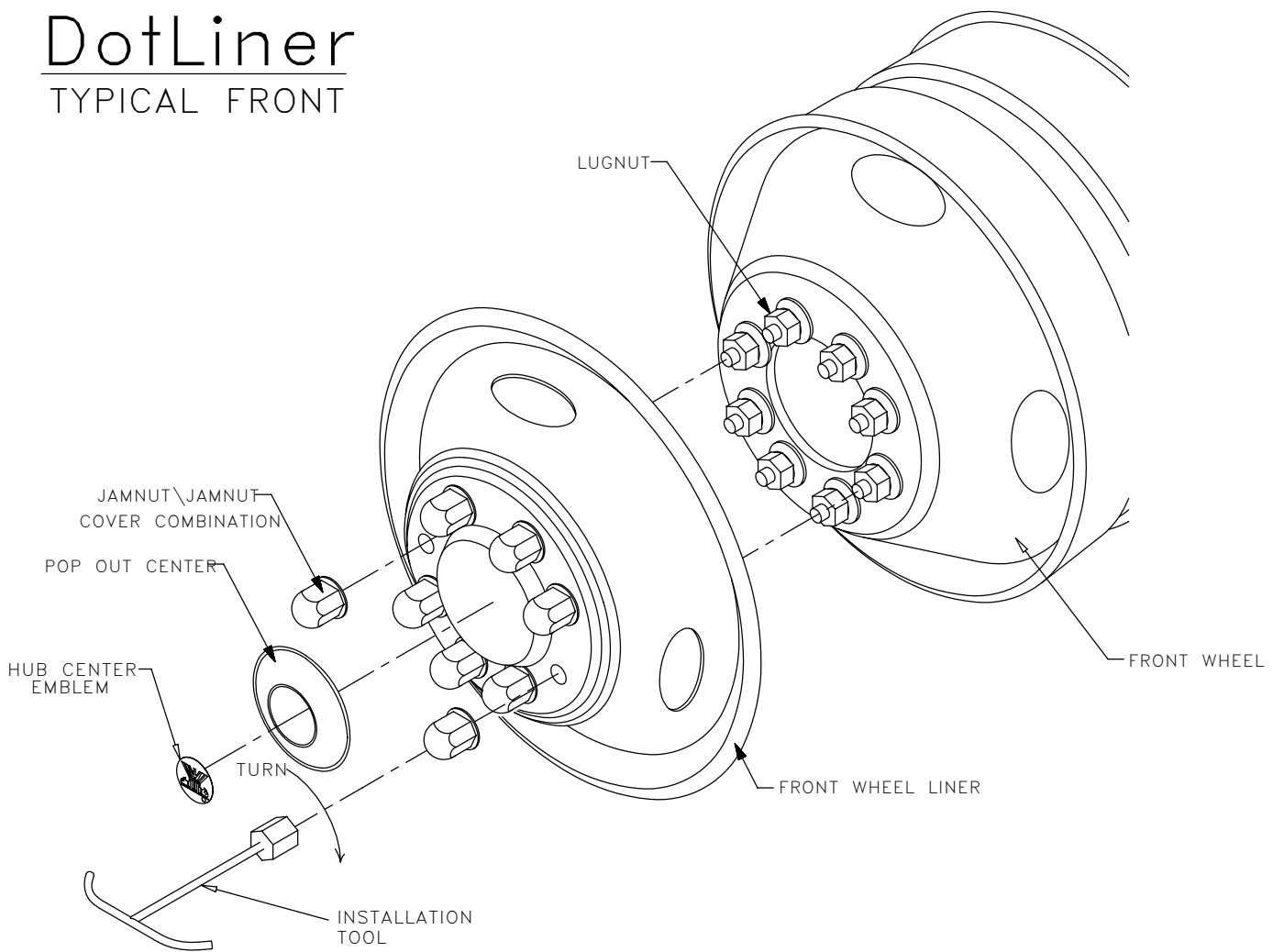
1. Do not remove the original equipment lug nuts.
2. Determine correct placement of simulator for proper hand hole alignment.
3. Install liner over studs. Now, install the jam nut covers with the built-in jamnut onto the studs. Use the included tool to tighten the jam nuts.
4. Complete the wheel cover installation by applying hub center emblem.
5. Repeat steps 2 through 4 for installation of the other wheel and axle covers.

**Phoenix USA, Inc. Wheel Simulator Limited Warranty**

Phoenix USA, Inc. warrants the stainless steel wheel simulators it markets to be free from manufacturing defects for a period of 3 years from initial sale to the initial purchaser. Any potential claim should be initiated by contacting the warranty department at Phoenix USA, Inc. to request a Returned Goods Authorization number so that the defective item only can be returned to Phoenix USA, Inc. for inspection and evaluation. If it is determined that the part in question was, in fact, defective, the defective part will be replaced at no charge. Note: Phoenix USA, Inc. Stainless Steel Wheel Simulator products are protected under one or more of the following Patents: #4,932,724; #5,096,263; #5,193,884; #5,205,614; #5,205,616; #5,277,478; #5,286,093; #5,645324; #5,669,672; #5,676,430; #5,695,257; #5,722,735; other patents pending.

# DotLiner

## TYPICAL FRONT



# DotLiner

## TYPICAL REAR

