



Phoenix USA, Inc.

HEAVY DUTY **D.O.T.Liner**[®]

For Stud Pilot sets

Packing List

Front Axle Set	Rear Axle Set
<ul style="list-style-type: none"> • 2 - Front wheel simulators • 2 - Front hub covers • 2 - 3/4" Right hand stud extenders * • 2 - 3/4" Left hand stud extenders * • 2 - 1-1/8" Right hand stud extenders • 2 - 1-1/8" Left hand stud extenders • 2 - Right hand jam nuts • 2 - Left hand jam nuts • 4 - Jam nut covers • 2 - Center hub logos • 1 - Installation tool 	<ul style="list-style-type: none"> • 2 - Rear wheel simulators • 2 - Rear hub covers • 2 - 1-1/8" Right hand stud extenders • 2 - 1-1/8" Left hand stud extenders • 2 - Right hand jam nuts • 2 - Left hand jam nuts • 4 - Jam nut covers • 2 - Center hub logos • 1 - Installation tool

* Used on front wheels with 3/4" studs only.

INSTALLATION INSTRUCTIONS

Note: This system can be installed with the installation tool provided. No other tools are necessary. Do not use power tools for installation. Phoenix[™] recommends storing the tool with the vehicle's tire tool for future use.

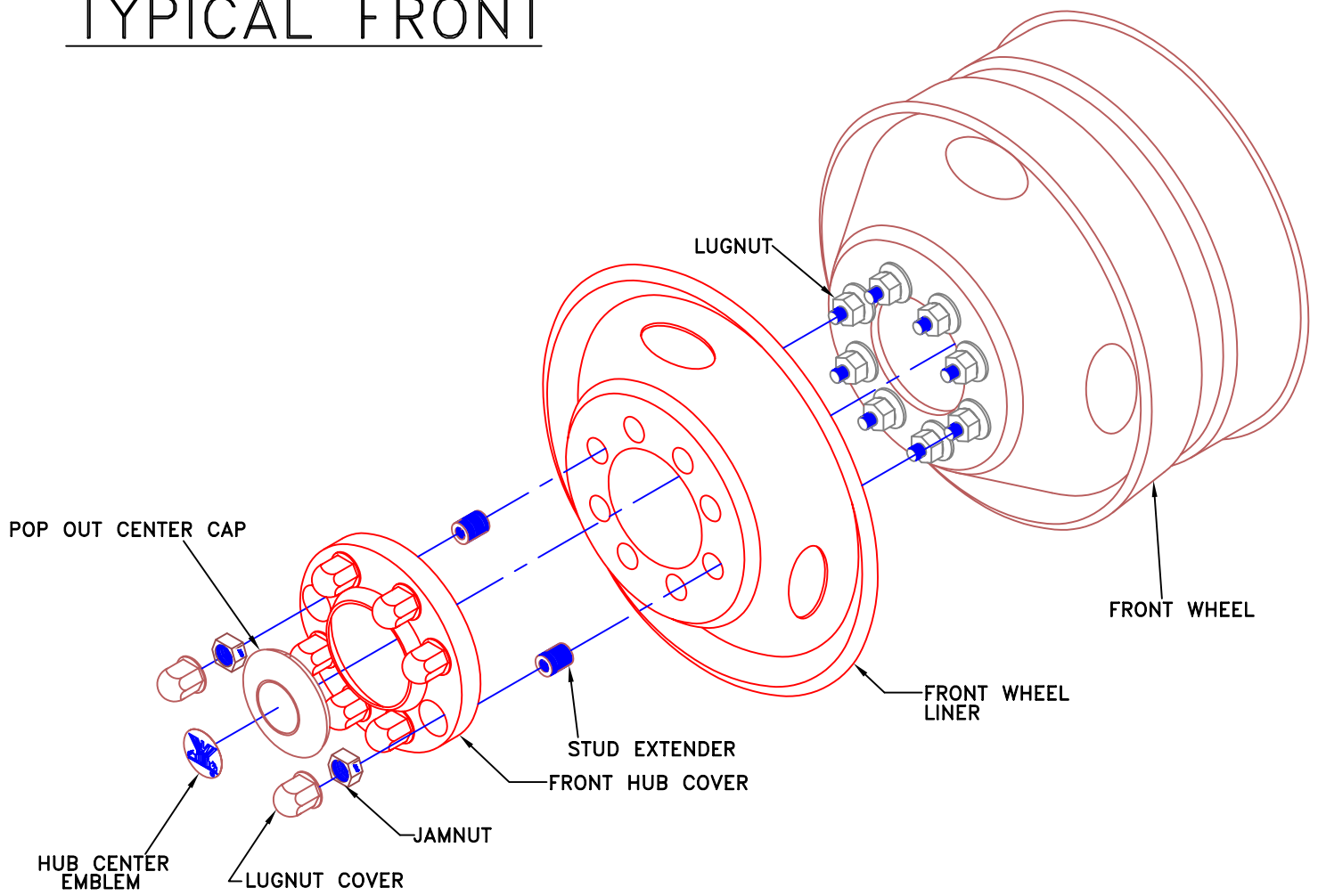
Assembly Drawings on Back

1. Do not remove the original equipment lug nuts.
2. Determine correct placement of stud extenders required for proper hand hole alignment. Left hand threaded attachment hardware will be used on the driver's side. Right hand threaded hardware will be used on the passenger side.
3. Determine if the vehicle is equipped with 3/4" or 1-1/8" front studs.
4. Install appropriate stud extender on the portion of the wheel studs that protrudes through the original equipment lug nut on opposing studs (180° apart). Tighten stud extenders with included installation tool.
5. Install Wheel simulator over stud extenders. Install hub cover over the stud extenders. Now, install the jam nuts on the stud extenders. Use the included tool to tighten jam nuts.
6. Install jam nut covers over the jam nuts.
7. Complete the wheel cover installation by applying hub center emblem.

Phoenix USA, Inc. Wheel Simulator Limited Warranty

Phoenix USA, Inc. warrants the stainless steel wheel simulators it markets to be free from manufacturing defects for a period of 3 years from initial sale to the initial purchaser. Any potential claim should be initiated by contacting the warranty department at Phoenix USA, Inc. to request a Returned Goods Authorization number so that the defective item only can be returned to Phoenix USA, Inc. for inspection and evaluation. If it is determined that the part in question was, in fact, defective, the defective part will be replaced at no charge. Note: Phoenix USA, Inc. Stainless Steel Wheel Simulator products are protected under one or more of the following Patents: #4,932,724; #5,096,263; #5,193,884; #5,205,614; #5,205,616; #5,277,478; #5,286,093; #5,645,324; #5,669,672; #5,676,430; #5,695,257; #5,722,735; other patents pending.

TYPICAL FRONT



TYPICAL REAR

