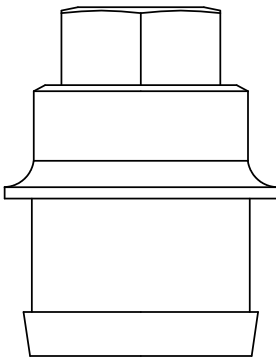


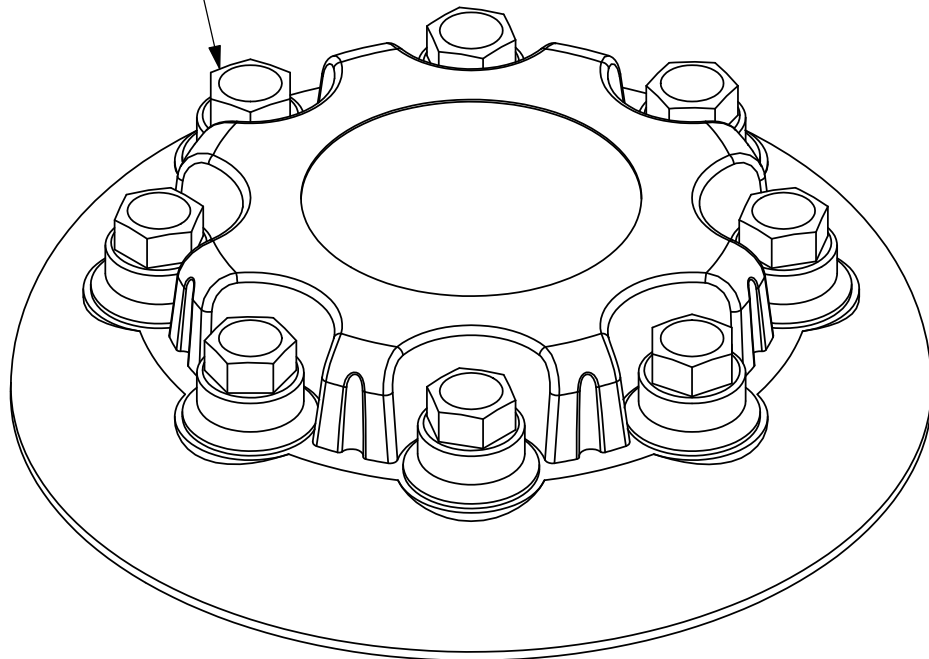
INSTALLATION INSTRUCTIONS

1. IF LESS THAN TWO FULL THREADS ON THE PLASTIC NUT COVERS ARE ENGAGING THE LUG NUTS, REPLACE PLASTIC NUT COVERS AS SHOWN.
2. REMOVE ALL PLASTIC LUG NUT COVERS FROM THE HUB COVER.
3. REPLACE WITH THE LUG NUT COVERS LOCATED IN THIS BAG.



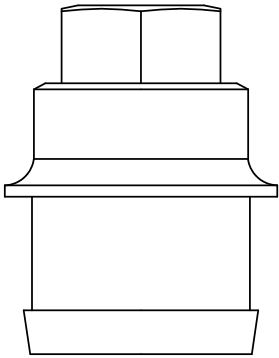
LUG NUT COVER

REMOVE ALL (8)  
LUG NUT COVERS



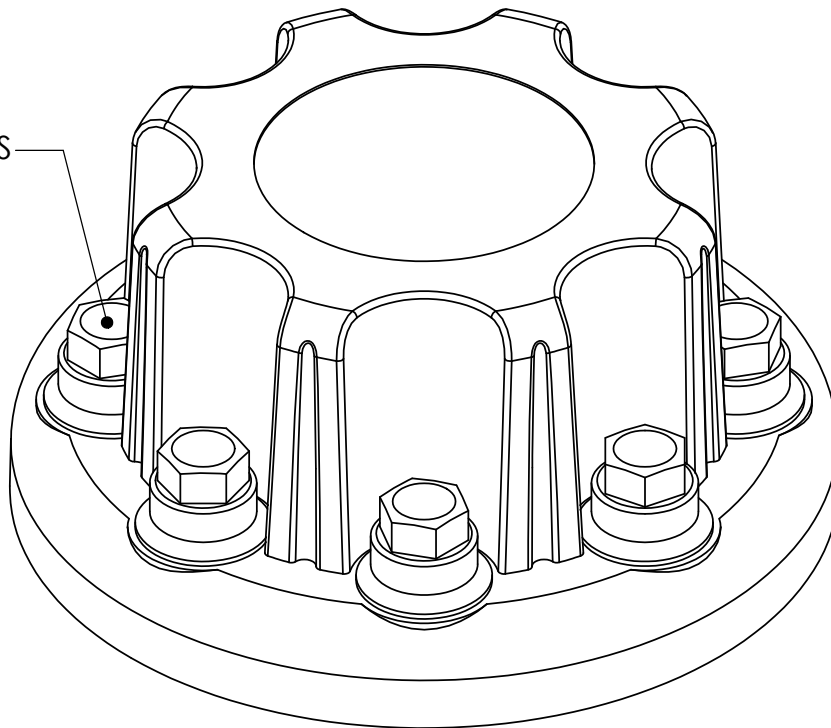
FRONT HUB COVER

- INSTALLATION INSTRUCTIONS
1. IF LESS THAN TWO FULL THREADS ON THE PLASTIC NUT COVERS ARE ENGAGING THE LUG NUTS, REPLACE PLASTIC NUT COVERS AS SHOWN.
  2. REMOVE ALL PLASTIC LUG NUT COVERS FROM THE HUB COVER.
  3. REPLACE WITH THE LUG NUT COVERS LOCATED IN THIS BAG.



LUG NUT COVER

REMOVE ALL (8)  
LUG NUT COVERS



REAR HUB COVER