



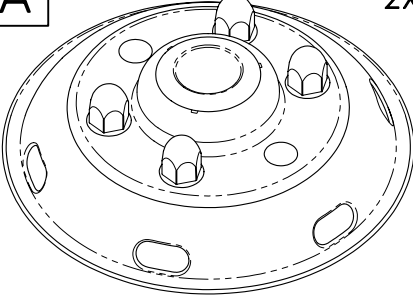
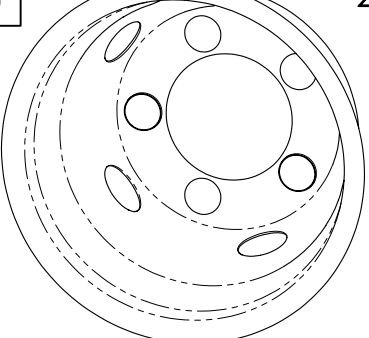
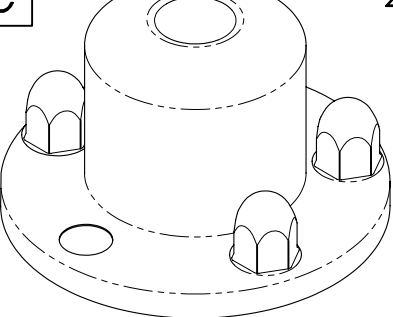
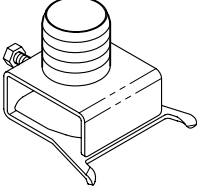
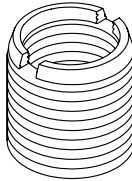
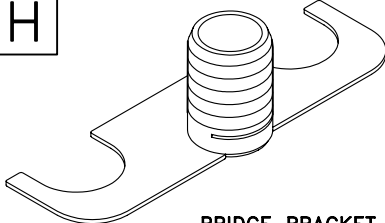
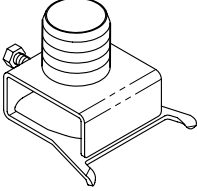
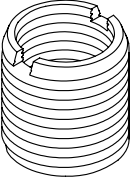
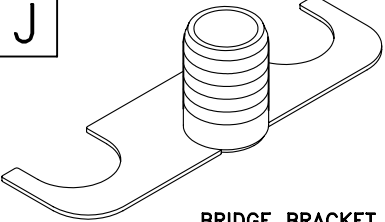
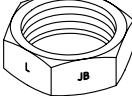

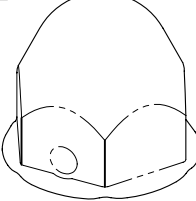
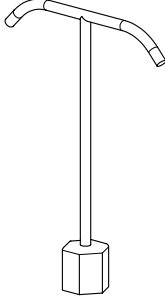
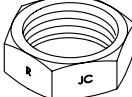

®

N6558

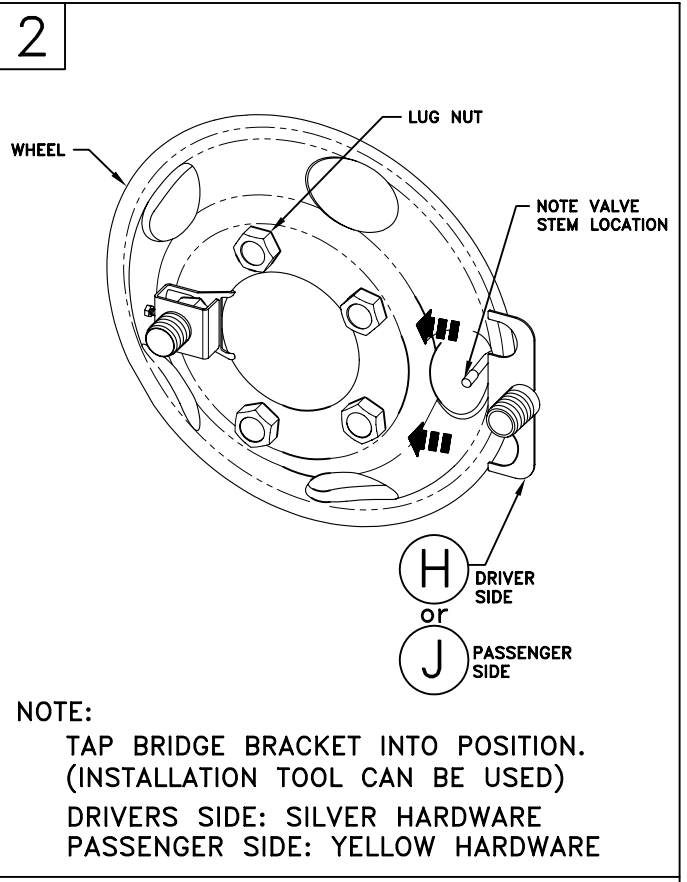
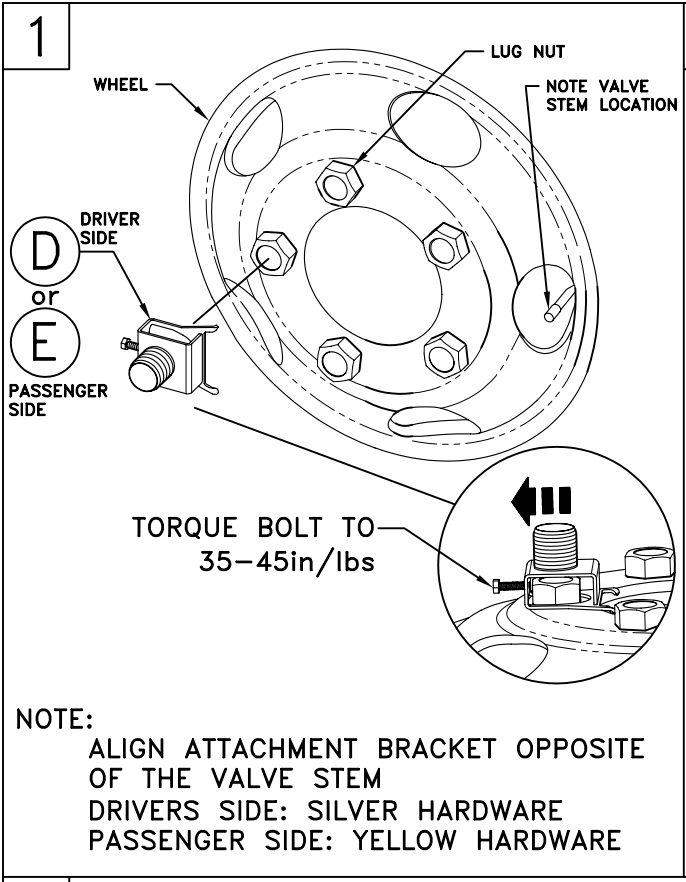
16" SS SIMULATOR SET

Phoenix™ USA, Inc.

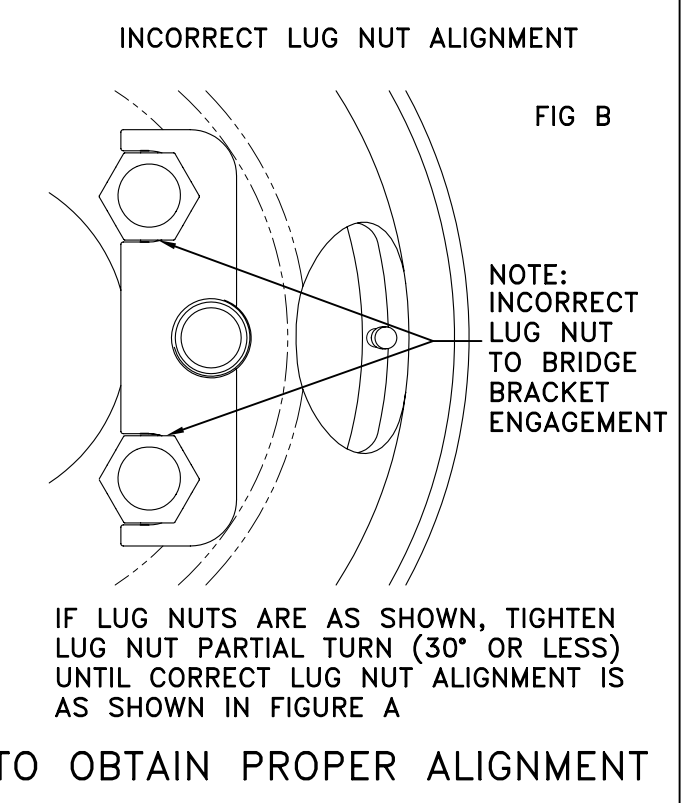
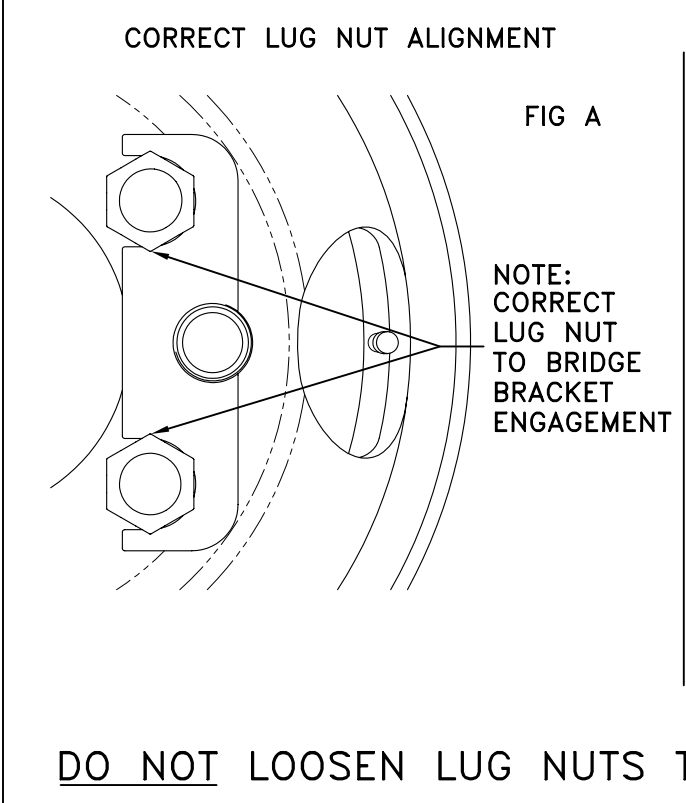
INSTALLER: PLACE THESE INSTRUCTIONS IN THE CAB WITH THE VEHICLE OWNER'S MANUAL

<p>A 2X</p>  <p>FRONT WHEEL LINER</p>	<p>B 2X</p>  <p>REAR WHEEL LINER</p>	<p>C 2X</p>  <p>REAR WHEEL HUB COVER</p>	
<p>D 1X</p>  <p>SINGLE ATTACHMENT BRACKET (DRIVERS SIDE SILVER HARDWARE)</p>	<p>F 2X</p>  <p>STUD EXTENDER (DRIVERS SIDE SILVER HARDWARE)</p>	<p>H 1X</p>  <p>BRIDGE BRACKET (DRIVERS SIDE SILVER HARDWARE)</p>	
<p>E 1X</p>  <p>SINGLE ATTACHMENT BRACKET (PASSENGER SIDE YELLOW HARDWARE)</p>	<p>G 2X</p>  <p>STUD EXTENDER (PASSENGER SIDE YELLOW HARDWARE)</p>	<p>J 1X</p>  <p>BRIDGE BRACKET (PASSENGER SIDE YELLOW HARDWARE)</p>	
<p>K 4X</p>  <p>LEFT HAND JAMNUT (DRIVERS SIDE SILVER HARDWARE)</p>	<p>M 2X</p>  <p>2" EMBLEM</p>	<p>P 8X</p>  <p>LUGNUT COVER</p>	<p>Q 1X</p>  <p>INSTALLATION TOOL</p>
<p>L 4X</p>  <p>RIGHT HAND JAMNUT (PASSENGER SIDE YELLOW HARDWARE)</p>	<p>N 2X</p>  <p>2.75" EMBLEM</p>		

1/4	PN6558MI	PHOENIX USA	REV 3
-----	----------	-------------	-------

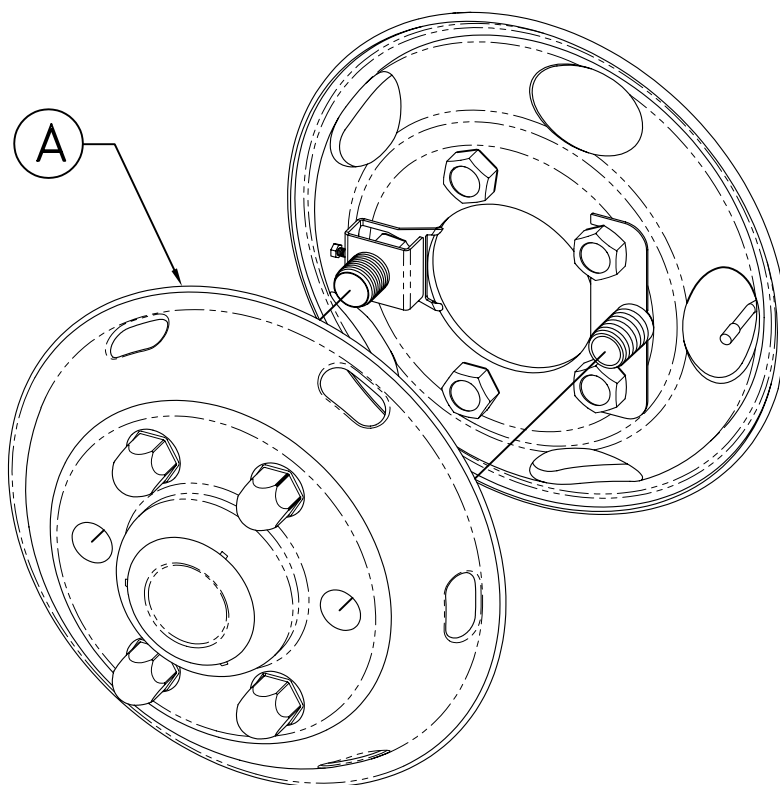


3 **IMPORTANT: LUGNUTS MUST BE ALIGNED CORRECTLY**



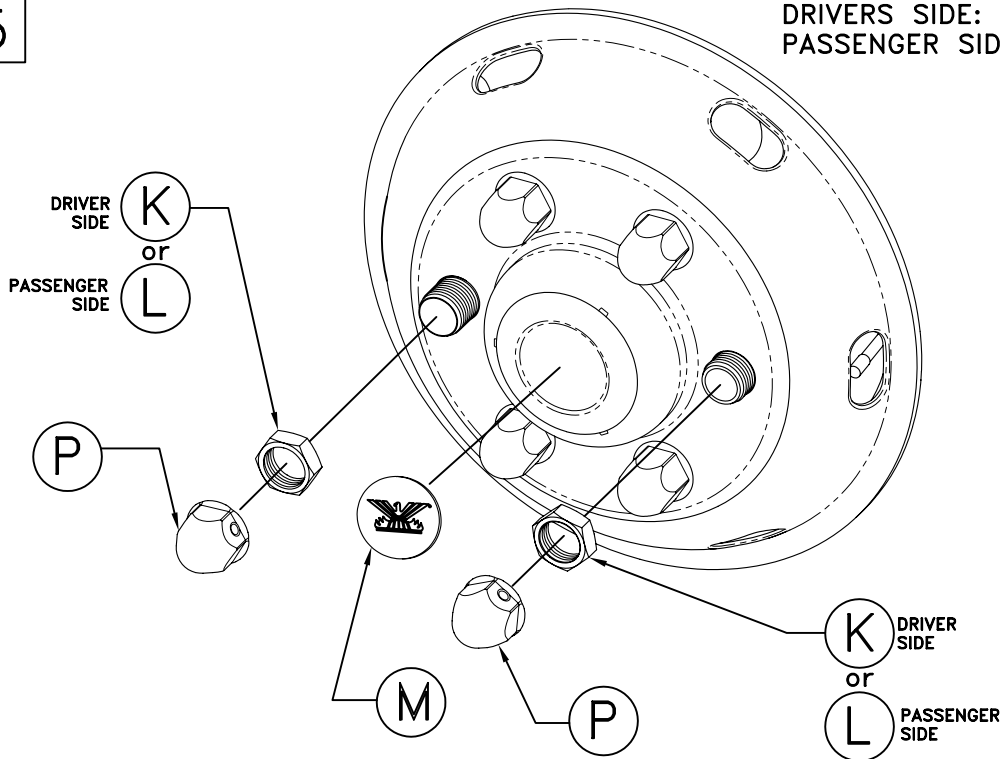
DO NOT LOOSEN LUG NUTS TO OBTAIN PROPER ALIGNMENT

4



5

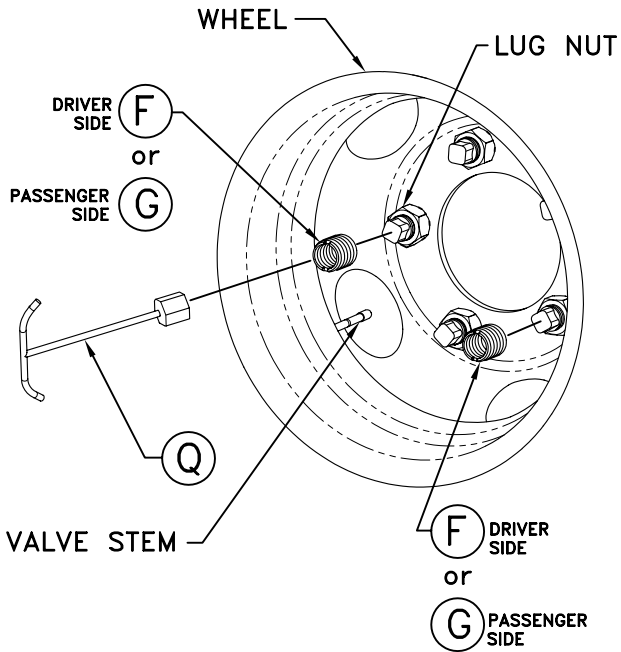
DRIVERS SIDE: SILVER HARDWARE
PASSENGER SIDE: YELLOW HARDWARE



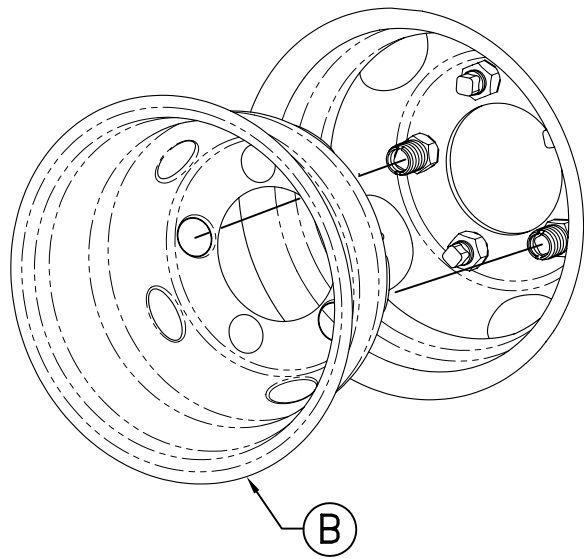
NOTE:
(HAND TIGHTEN JAM NUTS AND ADD 1-1/2 - 2 FULL
TURNS WITH "Q")

6

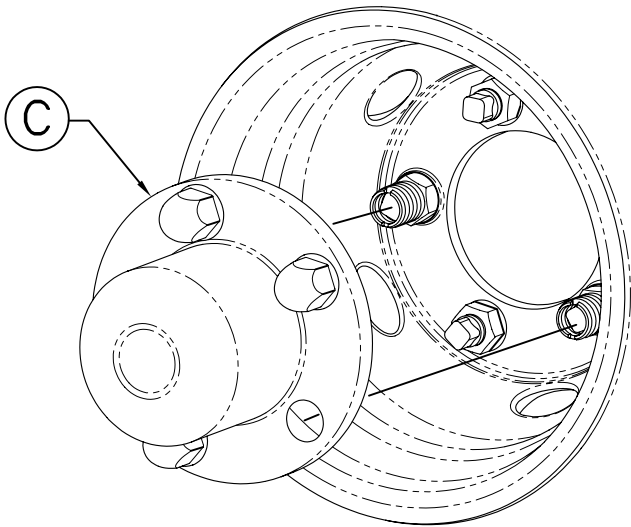
DRIVERS SIDE: SILVER HARDWARE
PASSENGER SIDE: YELLOW HARDWARE



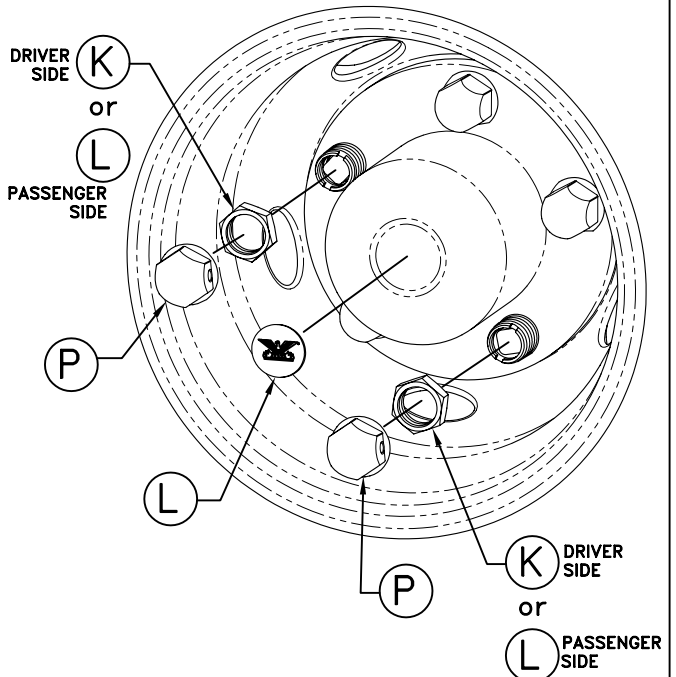
7



8



9



NOTE:
(HAND TIGHTEN JAM NUTS AND ADD 1-1/2 - 2 FULL
TURNS WITH "Q")

DRIVERS SIDE: SILVER HARDWARE
PASSENGER SIDE: YELLOW HARDWARE