

FRONT

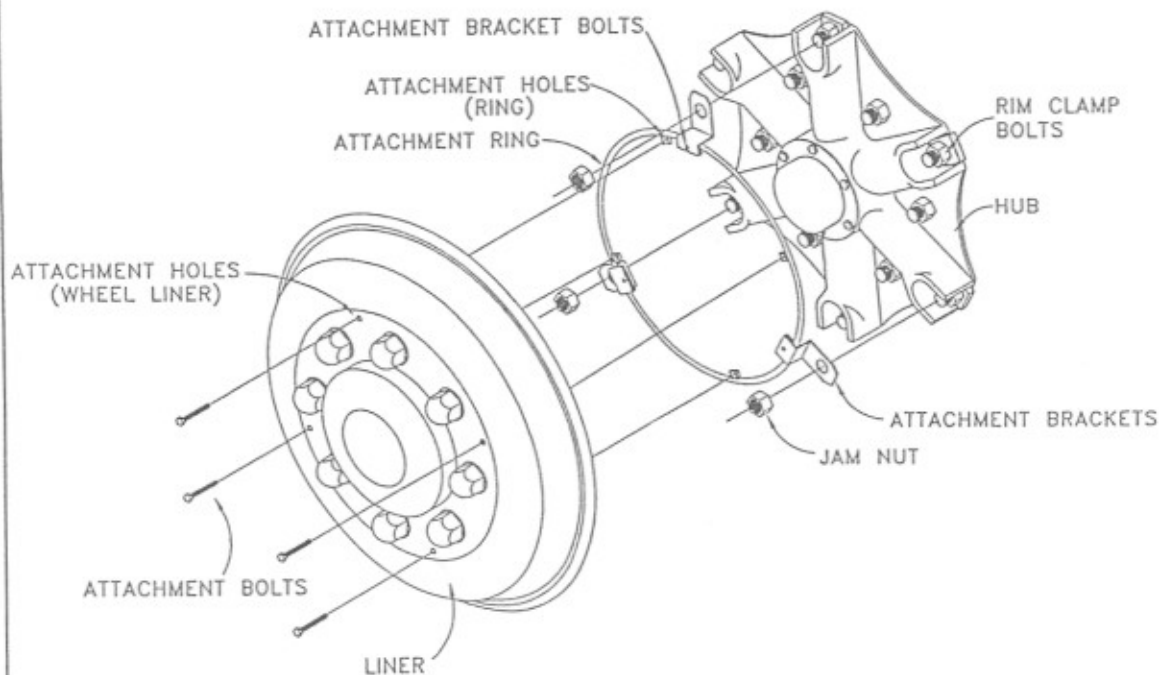
N D 2 2 5 F

Ref: MI/ND2025MF - REV: 10/17/97

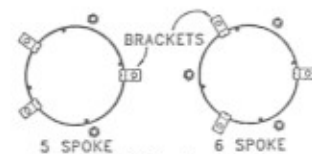
Packing List

(2) Front wheel liners	(6) Attachment bracket bolts	(8) 2" attachment bolts
(2) Attachment rings	(6) Jamnuts	(2) Hub center logos
(6) Attachment brackets	(8) 1" attachment bolts	(1) Warranty card

1. Preassemble attachment brackets to the attachment ring loosely (Fig A).
2. Position attachment brackets on the rim-clamp-bolts as shown in Fig B.
3. Use the Jamnut to attachment brackets to the rim-clamp-bolts and fully tighten.
4. Fully tighten the attachment bracket bolts.
5. Hold the liner up to the wheel. Align the attachment holes on the liner to the attachment holes in the ring. Use the 1" or 2" attachment bolts as required to mount the liner.
6. Start all four bolts into the attachment ring.
7. Evenly tighten all four attachment bolts. Do not over-tighten as it will cause warping of the liner face.
8. Place center emblem logo on liner.
9. Fill out and mail warranty card.



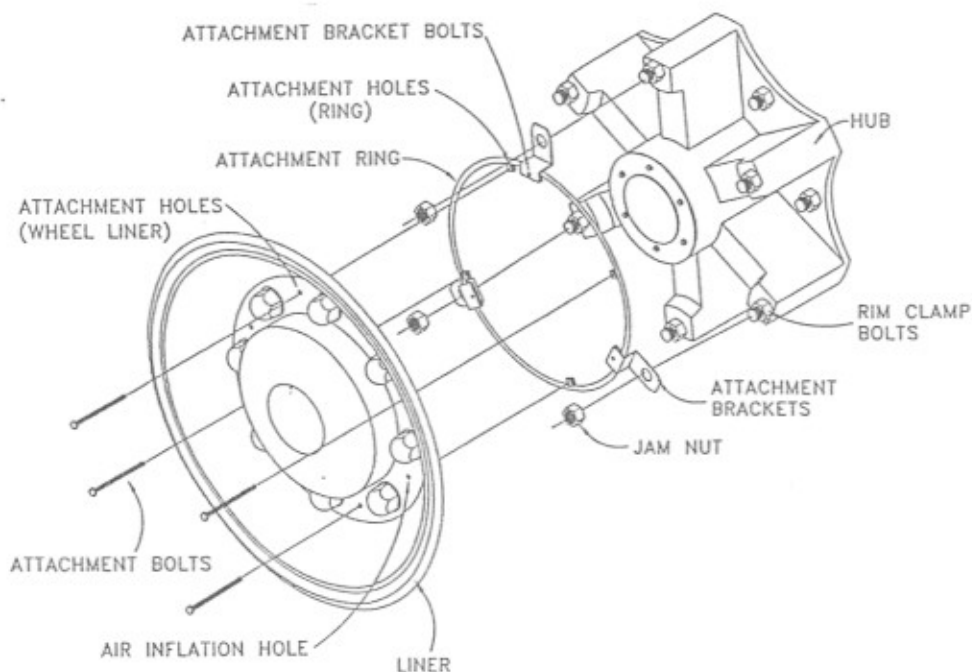
Phoenix™ USA, Inc.

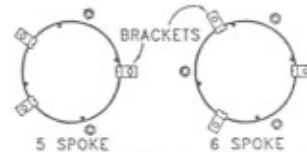


Packin g List

(2) Rear wheel liners	(6) Jam nuts	(4) Air inflation hoses
(2) Attachment rings	(6) Attachment bracket bolts	(2) Hub center logos
(6) Attachment brackets	(8) 3" attachment bolts	(1) Warranty card
	(8) 4" attachment bolts	

1. Preassemble attachment brackets to the attachment ring loosely (Fig. A).
2. Position attachment brackets on the rim-clamp-bolts as shown in Fig. B.
3. Use the Jamnut to attach the brackets to the rim-clamp-bolts and fully tighten.
4. Fully tighten the attachment bracket bolts.
5. Install air inflation hoses to valve stems of wheels.
6. Attach air inflation hoses to the liner.
7. Hold the liner up to the wheel. Align the attachment holes on the liner to the attachment holes in the ring. Use the 1" or 2" attachment bolts as required to mount the liner.
8. Start all four bolts into the attachment ring.
9. Evenly tighten all four attachment bolts. Do not over-tighten as it will cause warping of the liner face.
10. Place center emblem logo on liner.
11. Fill out and mail warranty card.


FIG. A: Attachment Brackets

Phoenix™ USA, Inc.

FIG. B